



BOTTICELLI 4 lamps

Quartz - Halogen SOFTLIGHT

DATA SHEET
03/10/03



Mod. 3121



Mod. 3123

FEATURES

This Botticelli Softlight is utilizing 4 linear quartz-halogen lamps with R7s caps and there are 2 different overall length versions (that must be specified on order):

- 189 mm 230-240V lamps available Max. Power 1.250W per lamp (tot. 5.000W)
- 118 mm 120 V & 230-240V lamps available Max. Power 1.000W per lamp (tot. 4.000W)

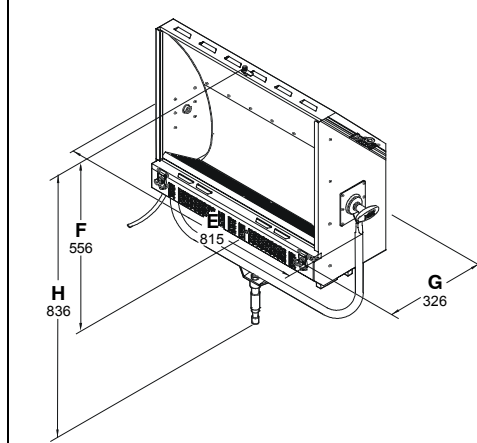
The use of such fixture makes possible the blending of shadows and penumbra without the need of bulky reflecting panels. The two lamps can be individually turned ON or OFF and they are arranged inside the optical system in such a way that the projected soft beam will only change in intensity when adding or deducting the function of a lamp, but it will not change the effect on shadows.

- Compact, highly efficient Soft-Light linear tungsten-quartz-halogen filament lamps having R7s sockets and length of either 118mm. or 189 mm.
- Rugged and Lightweight Carbon Steel housing with low glare black epoxy powder coating, with front supports for filter frame and egg-crate for beam control.
- Egg crates are available in two types of thickness and are stackable in front of the unit.
- High efficiency convection cooling.
- Fold down front panel for lamp compartment access without dismounting front accessories
- Standard units are equipped with Special aluminum reflector with diffuse painted reflecting surface on lamination, to obtain a super soft and diffused projection but still minimizing reflection losses. White reflectors are available on request
- The accessories are secure regardless of the orientation of the fixture. Accessories have been designed for one hand installation.
- Available with either positive lock manual yokes for comfort and ease of handling, or pole operated yokes which can be used via the lighting pole for Panning and Tilting the lights as well as manually, since the mechanical activators are equipped with clutches. It is possible the conversion between the two types.

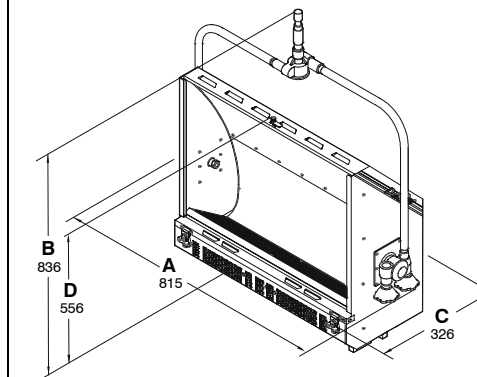
CHARACTERISTICS & PERFORMANCE DATA

DESCRIPTION	VALUE			
➤ Power Input	Max. 5.000W			
➤ Power supply	Europe		America	
	230 V / 50 Hz		110 V / 60 Hz	
➤ Switch on the fixture	M.O.		P.O.	
	4 x TOGGLE 10 A		Europe Rotary 45 A	America 4 x Toggle 10 A
➤ Lamp Holder	R7s Spring Type			
➤ Power Cable	Europe		America	
	3 x 4 mm ² H07RN-F 90° C rating		3 x 6 AWG TYPE SO 90° C rating	
➤ Protection Class	Class 1 – it requires ground connection			
➤ Protection Type	IP 22			
➤ Max. Housing Surface Temperature	220° C			
➤ Weight of Fixture	M.O.	M.O. USA	P.O.	P.O. USA
	15,5 kg	17,7 kg	16,5 kg	19,2 kg
➤ Weight of Egg-crates	24,5 mm tickness		49 mm tickness	
	1,9 kg.		3,4 kg.	
➤ Weight of color frame	0,85 kg.			

Dimensions in mm.



Dimensions in mm.



USABLE LAMPS

Length-watt-filament	230 v		120 v	
	ANSI	LIF	ANSI	LIF
189 – 625 – sc 8	-	P2/10	Not available	
189 -1000- sc 8	EKM	P2/7	Not available	
189 – 1250 – sc 8	-	P2/12	Not available	
118 – 1000 – sc 8	-	P2/20	FCM	P2/28

WORKING CONDITIONS

➤ Working Position	Lighting fixture: Max. Tilting $\pm 90^\circ$ from horizontal		Lamp: any for tilt position MAX $\pm 4^\circ$ Horizontal	
➤ Ambient Temperature, t_a	+45° C Max			
➤ Minimum distances from inflammable surfaces	Top 0,4 m.	Back 0,2 m.	Sides 0,2 m.	Front 2,5 m.

BOTTICELLI 4 LAMPS VERSIONS & MODEL NUMBERS

MOD. DESCRIPTION

Botticelli for 230V-240V Operation

- 3120.110 BOTTICELLI UP TO 5000 W. M.O.**
Softlight, for lamp length 189 mm., silver paint reflectors, 5 mt. cable, four 10A toggle switches, colour frame (3127.100), P.O. stirrup (3122.110.40).
- 3122.110 BOTTICELLI UP TO 2500/5000 W. P.O.**
Softlight, for lamp length 189 mm., silver paint reflectors, 3 mt. cable, 45A rotary switch, colour frame (3127.100), P.O. stirrup (3122.110.40).
- 3121.110 BOTTICELLI UP TO 2000/4000 W. M.O.**
Softlight, for lamp length 118 mm., silver paint reflectors, 5 mt. 3x 4 mmq. cable, four 10A toggle switches, colour frame (3127.100), M.O. stirrup (3120.110.40).
- 3123.110 BOTTICELLI UP TO 2000/4000 W. P.O.**
Softlight, for lamp length 118 mm., silver paint reflectors, 3 mt. 3x 4 mmq. cable, 45A rotary switch, colour frame (3127.100), P.O. stirrup (3122.110.40).

Botticelli for 120V Operation

- 3121.210 BOTTICELLI UP TO 2000/4000 W. M.O.**
Softlight, for lamp length 118 mm., silver paint reflectors, 5 mt. 3x10 mmq. cable, four 10A toggle switches, colour frame (3127.100), M.O. stirrup (3120.110.40).
- 3123.210 BOTTICELLI UP TO 2000/4000 W. P.O.**
Softlight, for lamp length 118 mm., silver paint reflectors, 3 mt. 3x10 mmq. cable, four 10A toggle switches, colour frame (3127.100), P.O. stirrup (3122.110.40).

BOTTICELLI 4 LAMPS ACCESSORIES TYPES & MODEL NUMBERS

MOD. OPTIONAL & ACCESSORIES

- 3120.110.40** Steel tube (M.O.) stirrup with 28,57 mm. spigot (B.S. 1 1/8"), with top end for attachment to "C" clamp.
- 3120.300.40** Steel tube (M.O.) stirrup with 28,00 mm. spigot (D.I.N.)
- 3122.110.40** Pole operated stirrup with 28,57 mm. spigot (B.S. 1 1/8"), with top end for attachment to "C" clamp.
- 3122.300.40** Pole operated stirrup with 28,00 mm. spigot (D.I.N.)
- 3126.100** Egg-crate, thickness 24,5 mm.
- 3126.200** Egg-crate, thickness 49 mm.
- 3127.100** Colour frame

